

Datasheet



PWC1120R ***12-channel RF Power Combiner***

Table of contents

1 General information.....	3
1.1Description.....	3
1.2Technical Specifications.....	3
2 Physical description.....	4
3 Functional block diagram.....	5
4 Ordering information.....	6

1 General information

1.1 Description

PWC1120R is a 12-channel RF power combiner. The device have very high input isolation characteristics and power loss compensation on the output. It is ideally suited for multichannel DTV broadcast in cable networks.

1.2 Technical Specifications

Input

Number of RF inputs	12
Operational bandwidth	50 – 850 MHz
Max. Input signal level	120 dBuV
Channel isolation min.	30 dB
Nominal input impedance	75 Ohm
Connector	IEC, F-type

Output amplifier

IP3	45 dBm
IP1	30 dBm
IP2	88 dB
Gain flatness	±0.4 dB

Outputs

Number of RF outputs	1
Connector	IEC, F-type

Power supply

Supply voltage	220v, 50Hz
Max. power consumption	15 W

Climate conditions

Nominal temperature	10 ... 40 °C
Max. relative humidity	80,00%

Dimensions

Width, mm	490
Height, mm	44
Depth, mm	300

2 Physical description

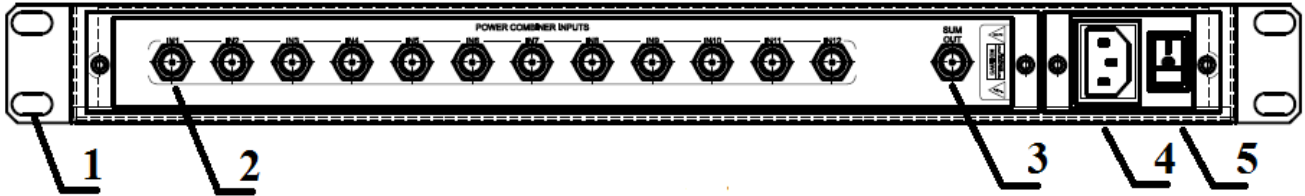


Fig. 2 Rear view

1. Mounting holes;
2. 12 RF input connectors;
3. Output connector;
4. Power socket
5. Power switch.

3 **Functional block diagram**

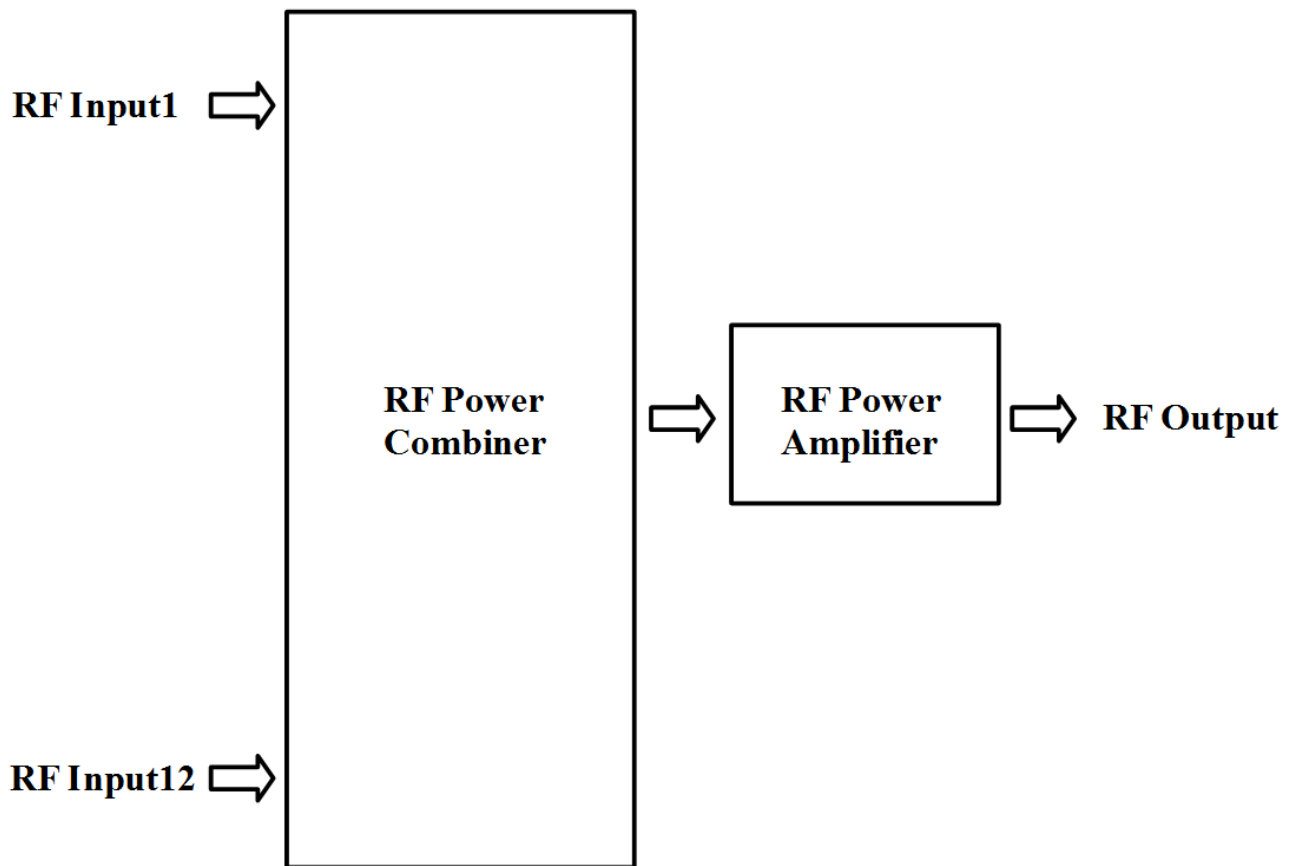


Fig.3 PWC1120R functional block diagram

Functional blocks description

RF Input1 to RF Input12. Power combiner inputs.

Power Combiner. RF power combiner module.

RF Power Amplifier. RF power multiplier module.

RF Output. Output of the device.

4 *Ordering information*

Model	RF Band	Options
PWC1120R-01	48-850	-